

# ANDINO



**ACC15**  
Series 2.0 - 3.5T

# Especificaciones - ACC20/25T8

## Series 2.0-2.5T

General	1 Manufacture		Megalift							
	2 Model		ACC20	ACC20	ACC20	ACC25	ACC25			
	3 Power type		Diesel	Diesel	Diesel	Diesel	Diesel			
Characteristics & Dimensions	4 Rated capacity		Kg	2000	2000	2000	2000	2500		
	5 Load center		mm	500	500	500	500	500		
	6 Lift height		mm	3000	3000	3000	3000	3000		
	7 Free lift height		mm	120	120	120	120	120		
	8 Fork size		LxWxT	mm	1070x120x40	1070x120x40	1070x120x40	1070x120x40	1070x120x40	
	9 Mast tilt range		F/R	deg	6/12	6/12	6/12	6/12	6/12	
	10 Fork overhang(wheel center to fork face)			mm	476	476	476	476	476	
	11 Rear overhang			mm	485	485	485	485	550	
	Overall dimensions	12 Length to face of fork		mm	2610	2610	2610	2610	2660	
		13 Overall width		mm	1150	1150	1150	1150	1150	
		14 Mast lowered height		mm	2050	2050	2050	2050	2050	
		15 Mast extended height		mm	4200	4200	4200	4200	4200	
		16 Overhead guard height		mm	2130	2130	2130	2130	2130	
		17 Turning radius(outside)			mm	2170	2170	2170	2170	2230
	18 Min.right angle stacking aisle wiath (Add load length and clearance )			mm	2680	2680	2680	2680	2740	
	Performance	19 Speed		Travel (No load)	Km/h	20	20	20	20	20
				Lifting (Full load)	mm/sec	450	450	450	450	450
				Lowering (Full load)	mm/sec	450	450	450	450	450
22 Max.Drawbar Pull (Full load)			N	14300	14300	14300	14300	14800		
23 Max.Gradeability (Full load)			%	20	20	20	20	20		
Chassis	24 Tyres		Front	mm	7.00-12-12PR	7.00-12-12PR	7.00-12-12PR	7.00-12-12PR	7.00-12-12PR	
			Rear	mm	6.00-9-10PR	6.00-9-10PR	6.00-9-10PR	6.00-9-10PR	6.00-9-10PR	
	26 Tread	Font		mm	970	970	970	970	970	
		Rear		mm	970	970	970	970	970	
	28 Wheelbase			mm	1600	1600	1600	1600	1600	
	29 Ground clearance	Lowest			mm	120	120	120	120	120
Wheelbase center			mm	145	145	145	145	145		
Weight	31 Self weight			Kg	3580	3580	3580	3580	3920	
	32 Weight	Full load		Front		4856	4856	4856	5588	
				Rear		724	724	724	832	
	34 Distribution	No load		Front		1428	1428	1428	1560	
				Rear		2152	2142	2142	2360	
Power & transmission	36 Battery		V/AH		12/60	12/80	12/80	12/80	12/80	
	37 Modal				S4S-DPEU2	C490BPG-25	C240	TD27	C490BPG-25	
	38 Manufacture				Mitsubishi	XIN CHAI	ISUZU	GCT	XIN CHAI	
	39 Rated output/r.p.m		kw		35.3/2250	36.8/2650	34.5/2500	38.5/2300	36.8/2650	
	40 Rated torque/r.p.m		N.m		177/1700	156/1700-1900	139/1800	160/2300	156/1700-1900	
	41 No.of cylinder				4	4	4	4	4	
	42 BorexStroke		mm		94x120	90x105	86x102	96/92	90x105	
	43 Displacement		cc		3331	2670	2369	2683	2670	
	44 Fuel tank capacity		L		60	60	60	60	60	
	45 Manufacture				OEM	OEM	OEM	OEM	OEM	
	46 Transmissions		Type			Powershift	Powershift	Powershift	Powershift	
	47 Stage		FWD/RVS			1/1	2/2	1/1	2/2	
48 Operating pressure		For attachments	Mpa		17.5	17.5	17.5	17.5		

1. Altura de elevación especial disponible (mástil de 2 etapas: 2,5 m, 2,7 m, 3,0 m, 3,3 m, 3,5 m, 3,6 m, 3,7 m, 4 m, 4,3 m, 4,5 m, 5 m. Mástil dúplex completamente libre de 3,0 m, 3,3 m, 3,5 m, 3,6 m Mástil de 3 etapas: 4,3 m, 4,5 m, 4,8 m, 5 m, 5,5 m, 6 m)

2. Accesorio disponible.

3. Las especificaciones de la tabla son solo para modelos estándar. Para obtener más información, póngase en contacto con nosotros.

4. Las especificaciones están sujetas a cambios sin previo aviso.

# Especificaciones - ACC20/25T8

## Series 2.0-2.5T

			Megalift						
			ACC25	ACC25	ACC25	ACC25			
General	1	Manufacture							
	2	Model		ACC25	ACC25	ACC25	ACC25		
	3	Power type		Diesel	Diesel	Diesel	Gasoline		
	4	Rated capacity	Kg	2500	2500	2500	2500		
	5	Load center	mm	500	500	500	500		
Characteristics & Dimensions	6	Lift height		3000	3000	3000	3000		
	7	Free lift height		120	120	120	120		
	8	Fork size	L×W×T	mm	1070×120×40	1070×120×40	1070×120×40	1070×120×40	
	9	Mast tilt range	F/R	deg	6\12	6\12	6\12	6\12	
	10	Fork overhang(wheel center to fork face)		mm	476	476	476	476	
	11	Rear overhang		mm	550	550	550	550	
	12	Overall dimensions	Length to face of fork		mm	2660	2660	2660	
	13		Overall width		mm	1150	1150	1150	
	14		Mast lowered height		mm	2050	2050	2050	
	15		Mast extended height		mm	4200	4200	4200	
	16		Overhead guard height		mm	2130	2130	2130	
	17	Turning radius(outside)		mm	2230	2230	2230	2230	
	18	Min.right angle stacking aisle wiath (Add load length and clearance )		mm	2740	2740	2740	2740	
Performance	19	Speed	Travel (No load)		Km/h	20	20	20	20
	20		Lifting (Full load)		mm/sec	450	450	450	450
	21		Lowering (Full load)		mm/sec	450	450	450	450
	22	Max.Drawbar Pull (Full load)		N	14800	14800	14800	14800	
	23	Max.Gradeability (Full load)		%	20	20	20	20	
Chassis	24	Tyres	Front	mm	7.00-12-12PR	7.00-12-12PR	7.00-12-12PR	7.00-12-12PR	
	25		Rear	mm	6.00-9-10PR	6.00-9-10PR	6.00-9-10PR	6.00-9-10PR	
	26	Tread	Font	mm	970	970	970	970	
	27		Rear	mm	970	970	970	970	
	28	Wheelbase		mm	1600	1600	1600	1600	
	29	Ground clearance	Lowest			120	120	120	120
	30		Wheelbase center			145	145	145	145
Weight	31	Self weight		Kg	3920	3920	3920	3920	
	32	Weight	Full load	Front		5588	5588	5588	5588
	33			Rear		832	832	832	832
	34	Distribution	No load	Front		1560	1560	1560	1560
	35			Rear		2360	2360	2360	2360
Power & transmission	36	Battery	Voltage/Capacity(20HR)		V/AH	12/60	12/60	12/60	12/60
	37	Engine	Modal			S4S-DPEU2	C240	TD27	GK25
	38		Manufacture			Mitsubishi	ISUZU	GCT	GCT
	39		Rated output/r.p.m		kw	35.3/2250	34.5/2500	38.5/2300	37.4/2300
	40		Rated torque/r.p.m		N.m	177/1700	139/1800	160/2300	176.5/1600
	41		No.of cylinder			4	4	4	4
	42		Bore×Stroke		mm	94×120	86×102	96/92	89×100
	43		Displacement		cc	3331	2369	2663	2488
	44		Fuel tank capacity		L	60	60	60	60
	45	Transmissions	Manufacture			OEM	OEM	OEM	OEM
	46		Type			Powershift	Powershift	Powershift	Powershift
	47		Stage	FWD/RVS		1/1	1/1	1/1	1/1
48	Operating pressure	For attachments		Mpa	17.5	17.5	17.5	17.5	

# Especificaciones - ACC30/35T8

## Series 3.0-3.5T

General	1	Manufacture		Megalift						
	2	Model		ACC30	ACC30	ACC30	ACC30	ACC30	ACC30	
	3	Power type		Diesel	Diesel	Diesel	Diesel	Diesel	Gasoline	
	4	Rated capacity	Kg	3000	3000	3000	3000	3000	3000	
	5	Load center		mm	500	500	500	500	500	
	6	Lift height		mm	3000	3000	3000	3000	3000	
Characteristics & Dimensions	7	Free lift height		mm	120	120	120	120	120	
	8	Fork size	L×W×T	mm	1070×125×45	1070×125×45	1070×125×45	1070×125×45	1070×125×45	
	9	Mast tilt range	F/R	deg	6/12	6/12	6/12	6/12	6/12	
	10	Fork overhang(wheel center to fork face)		mm	481	481	481	481	481	
	11	Rear overhang		mm	590	590	590	590	590	
	12	Overall dimensions	Length to face of fork		mm	2762	2762	2762	2762	2762
	13		Overall width		mm	1200	1200	1200	1200	1200
	14		Mast lowered height		mm	2070	2070	2070	2070	2070
	15		Mast extended height		mm	4210	4210	4210	4210	4210
	16		Overhead guard height		mm	2180	2180	2180	2180	2180
		17	Turning radius(outside)		mm	2450	2450	2450	2450	2450
		18	Min.right angle stacking aisle wiath (Add load length and clearance )		mm	2950	2950	2950	2950	2950
Performance	19	Speed	Travel (No load)	Km/h	20	20	20	20	20	
	20		Lifting (Full load)	mm/sec	400	400	400	400	400	
	21		Lowering (Full load)	mm/sec	400	400	400	400	400	
	22	Max.Drawbar Pull (Full load)		N	21000	21000	21000	21000	21000	
	23	Max.Gradeability (Full load)		%	20	20	20	20		
Chassis	24	Tyres	Front	mm	28×9-15-12PR	28×9-15-12PR	28×9-15-12PR	28×9-15-12PR	28×9-15-12PR	
	25		Rear	mm	6.50-10-10PR	6.50-10-10PR	6.50-10-10PR	6.50-10-10PR	6.50-10-10PR	
	26	Tread	Font	mm	1010	1010	1010	1010	1010	
	27		Rear	mm	980	980	980	980	980	
		28	Wheelbase		mm	1700	1700	1700	1700	
		29	Ground clearance	Lowest		140	140	140	140	
	30	Wheelbase center			175	175	175	175		
Weight	31	Self weight		Kg	4450	4450	4450	4450	4450	
	32	Weight Distribution	Full load	Front		6488	6488	6488	6488	
	33			Rear		962	962	962	962	
	34		No load	Front		1810	1810	1810	1810	
	35			Rear		2640	2640	2640	2640	
Power & transmission	36	Battery	Voltage/Capacity(20HR)	V/AH	12/60	12/60	12/60	12/60	12/60	
	37	Engine	Modal		S4S-DPEU2	C490BPG-25	A498BT1-39	C240	TD27	GK25
	38		Manufacture		Mitsubishi	XIN CHAI	XIN CHAI	ISUZU	GCT	GCT
	39		Rated output/r.p.m	kw	35.3/2250	36.8/2650	36.8/2400	34.5/2500	38.5/2300	37.4/2300
	40		Rated torque/r.p.m	N.m	177/1700	156/1700-1900	186/1600-1800	139/1800	160/2300	176.5/1600
	41		No.of cylinder		4	4	4	4	4	4
	42		Bore×Stroke	mm	94×120	90×105	95×105	86×102	96/92	89×100
	43		Displacement	cc	3331	2670	2980	2369	2663	2488
	44		Fuel tank capacity	L	70	60	70	70	60	70
	45	Transmissions	Manufacture		OEM	OEM	OEM	OEM	OEM	OEM
	46	Type			Powershift	Powershift	Powershift	Powershift	Powershift	Powershift
	47	Stage		FWD/RVS		1/1	1/1	1/1	1/1	1/1
48	Operating pressure	For attachments	Mpa	17.5	17.5	17.5	17.5	17.5	17.5	

1. Altura de elevación especial disponible (mástil de 2 etapas: 2,5 m, 2,7 m, 3,0 m, 3,3 m, 3,5 m, 3,6 m, 3,7 m, 4 m, 4,3 m, 4,5 m, 5 m. Mástil dúplex completamente libre de 3,0 m, 3,3 m, 3,5 m, 3,6 m Mástil de 3 etapas: 4,3 m, 4,5 m, 4,8 m, 5 m, 5,5 m, 6 m)

2. Accesorio disponible.

3. Las especificaciones de la tabla son solo para modelos estándar. Para obtener más información, póngase en contacto con nosotros.

4. Las especificaciones están sujetas a cambios sin previo aviso.

# Especificaciones - ACC30/35T8

## Series 3.0-3.5T

		Megalift							
General	1	Manufacture							
	2	Model		ACC35	ACC35	ACC35	ACC35	ACC35	
	3	Power type		Diesel	Diesel	Diesel	Gasoline	Diesel	
	4	Rated capacity	Kg	3500	3500	3000	3500	3000	
	5	Load center	mm	500	500	500	500	500	
Characteristics & Dimensions	6	Lift height	mm	3000	3000	3000	3000	3000	
	7	Free lift height	mm	120	120	120	120	120	
	8	Fork size	L×W×T	mm	1070×125×50	1070×125×50	1070×125×50	1070×125×50	1070×125×50
	9	Mast tilt range	F/R	deg	6\12	6\12	6\12	6\12	6\12
	10	Fork overhang(wheel center to fork face)		mm	486	486	481	486	481
	11	Rear overhang		mm	590	590	590	590	590
	12	Overall dimensions	Length to face of fork	mm	2822	2822	2822	2822	2822
	13		Overall width	mm	1200	1200	1200	1200	1200
	14		Mast lowered height	mm	2070	2070	2070	2070	2070
	15		Mast extended height	mm	4210	4210	4210	4210	4210
	16	Overhead guard height		mm	2180	2180	2180	2180	2180
	17	Turning radius(outside)		mm	2510	2510	2510	2510	2510
	18	Min.right angle stacking aisle wiath (Add load length and clearance )		mm	3010	3010	3010	3010	3010
Performance	19	Speed	Travel (No load)	Km/h	20	20	20	20	20
	20		Lifting (Full load)	mm/sec	400	400	400	400	400
	21		Lowering (Full load)	mm/sec	400	400	400	400	400
	22	Max.Drawbar Pull (Full load)		N	21500	21500	21500	21500	21500
	23	Max.Gradeability (Full load)		%	20	20	20	20	20
Chassis	24	Tyres	Front	mm	28×9-15-12PR	28×9-15-12PR	28×9-15-12PR	28×9-15-12PR	28×9-15-12PR
	25		Rear	mm	6.50-10-10PR	6.50-10-10PR	6.50-10-10PR	6.50-10-10PR	6.50-10-10PR
	26	Tread	Font	mm	1010	1010	1010	1010	1010
	27		Rear	mm	980	980	980	980	980
	28	Wheelbase		mm	1760	1760	1760	1760	1760
	29	Ground clearance	Lowest		140	140	140	140	140
30	Wheelbase center			175	175	175	175	175	
Weight	31	Self weight		Kg	4700	4700	4700	4700	4700
	32	Weight Distribution	Full load	Front	7134	7134	7134	7134	7134
	33			Rear	1066	1066	1066	1066	1066
	34		No load	Front	1927	1927	1927	1927	1927
	35			Rear	2773	2773	2773	2773	2773
Power & transmission	36	Battery	Voltage/Capacity(20HR)	V/AH	12/60	12/80	12/60	12/60	12/60
	37	Engine	Modal		S4S-DPEU2	A498BT1-39	TD27	GK25	4JG2
	38		Manufacture		Mitsubishi	XIN CHAI	GCT	GCT	ISUZU
	39		Rated output/r.p.m	kw	35.3/2250	36.8/2400	38.5/2300	37.4/2300	44.9/2450
	40		Rated torque/r.p.m	N.m	177/1700	186/1600-1800	160/2300	176.5/1600	184.7/1700
	41		No of cylinder		4	4	4	4	4
	42		Bore×Stroke	mm	94×120	95×105	96/92	89×100	95.4X107
	43		Displacement	cc	3331	2980	2663	2488	3059
	44	Fuel tank capacity	L	75	70	60	75	75	
	45	Transmissions	Manufacture		OEM	OEM	OEM	OEM	OEM
	46		Type		Powershift	Powershift	Powershift	Powershift	Powershift
	47		Stage	FWD/RVS		1/1	1/1	1/1	1/1
48	Operating pressure	For attachments		Mpa	17.5	17.5	17.5	17.5	17.5

# Especificaciones ACC20/25/30/35T8

## Series 2.0-3.5T (Meets Euro Stage V Legislation)

		Megalift							
General	1	Manufacture							
	2	Model		ACC20	ACC25	ACC30	ACC35		
	3	Power type		Dies el	Diesel	Diesel	Diesel		
	4	Rated capacity		Kg	2000	2500	3000	3500	
	5	Load center		mm	500	500	500	500	
Characteristics & Dimensions	6	Lift height		mm	3000	3000	3000	3000	
	7	Free lift height		mm	120	120	120	120	
	8	Fork size	L×W×T	mm	1070×120×40	1070×120×40	1070×125×45	1070×125×50	
	9	Mast tilt range		F/R	deg	6/12	6/12	6/12	
	10	Fork overhang(wheel center to fork face)		mm	476	476	481	486	
	11	Rear overhang		mm	485	550	590	590	
	12	Length to face of fork		mm	2610	2650	2762	2822	
	13	Overall width		mm	1150	1150	1200	1200	
	14	Overall dimensions		mm	2050	2050	2070	2070	
	15	Mast lowered height		mm	4200	4200	4210	4210	
	16	Mast extended height		mm	2130	2130	2180	2180	
	17	Overhead guard height		mm	2170	2230	2450	2510	
	18	Turning radius(outside)		mm	2170	2230	2450	2510	
Performance	19	Min.right angle stacking aisle wiath (Add load length and clearance )		mm	2680	2740	2950	3010	
	20	Speed	Travel (No load)	Km/h	20	20	20	20	
	21		Lifting (Full load)	mm/sec	450	450	400	400	
	22		Lowering (Full load)	mm/sec	450	450	400	400	
	23	Max.Drawbar Pull (Full load)		N	14300	14800	21000	21500	
24	Max.Gradeability (Full load)		%	20	20	20	20		
Chassis	25	Tyres	Front	mm	7.00-12-12PR	7.00-12-12PR	28×9-15-12PR	28×9-15-12PR	
	26		Rear	mm	6.00-9-10PR	6.00-9-10PR	6.50-10-10PR	6.50-10-10PR	
	27	Tread	Font	mm	970	970	1010	1010	
	28		Rear	mm	970	970	980	980	
	29	Wheelbase		mm	1600	1600	1700	1760	
	30	Ground clearance	Lowest		120	120	140	140	
	31		Wheelbase center		145	145	175	175	
Weight	32	Self weight		Kg	3580	3920	4450	4700	
	33	Weight Distribution	Full load	Front		4856	5588	6488	7134
	34			Rear		724	832	962	1066
	35		No load	Front		1428	1560	1810	1927
	36			Rear		2142	2360	2640	2773
Power & transmission	37	Battery		V/AH			12/105		
	38	Voltage/Capacity(20HR)					3E22YG51		
	39	Modal					XIN CHAI		
	40	Rated output/r.p.m		kw			44.8/2400		
	41	Rated torque/r.p.m		N.m			210/1600-1800		
	42	No.of cylinder					3		
	43	Bore×Stroke		mm			94X107		
	44	Displacement		cc			2226		
	45	Fuel tank capacity		L					
	46	Manufacture			OEM	OEM	OEM	OEM	
	47	Type			Powershift	Powershift	Powershift	Powershift	
	48	Stage		FWD/RVS					
49	Operating pressure		For attachments	Mpa	17.5	17.5	17.5	17.5	

1. Altura de elevación especial disponible (mástil de 2 etapas: 2,5 m, 2,7 m, 3,0 m, 3,3 m, 3,5 m, 3,6 m, 3,7 m, 4 m, 4,3 m, 4,5 m, 5 m. Mástil dúplex completamente libre de 3,0 m, 3,3 m, 3,5 m, 3,6 m Mástil de 3 etapas: 4,3 m, 4,5 m, 4,8 m, 5 m, 5,5 m, 6 m)

2. Accesorio disponible.

3. Las especificaciones de la tabla son solo para modelos estándar. Para obtener más información, póngase en contacto con nosotros.

4. Las especificaciones están sujetas a cambios sin previo aviso.

### Opciones del mástil 2.0-2.5t (neumático)

Type	Model	Max.fork height	Overall height			Free lift		Front Overhang		Tilt range		Capacity			
			Lowered	Extended		Without backrest	With backrest	2.0t	2.5t	FWD	BWD	Load capacity at 500 mm			
				Without backrest	With backrest							Single tire		Double tire	
			mm	mm	mm	mm	mm	mm	mm	mm	Deg	Deg	kg	kg	kg
Wide view mast	2W200	2000	1550	2740	3420	120	120	476	476	6	10	2000	2500	2000	2500
	2W250	2500	1800	3040	3720	120	120	476	476	6	10	2000	2500	2000	2500
	2W270	2700	1900	3240	3920	120	120	476	476	6	10	2000	2500	2000	2500
	2W300	3000	2050	3540	4220	120	120	476	476	6	10	2000	2500	2000	2500
	2W330	3300	2200	3690	4370	120	120	476	476	6	10	2000	2500	2000	2500
	2W350	3500	2300	3890	4570	120	120	476	476	6	10	2000	2500	2000	2500
	2W360	3600	2350	3990	4670	120	120	476	476	6	10	2000	2500	2000	2500
	2W400	4000	2600	4040	4720	120	120	476	476	6	10	1900	2300	2000	2500
	2W430	4300	2750	4340	5020	120	120	476	476	6	6	1800	2100	1950	2450
	2W450	4500	2850	4290	4970	120	120	476	476	6	6	1700	2000	1900	2400
wide view full 2-stage mast	2F250	2500	1785	2090	2770	1210	560	476	476	6	10	2000	2500	2000	2500
	2F270	2700	1885	2290	2970	1310	660	476	476	6	10	2000	2500	2000	2500
	2F300	3000	2035	2590	3270	1460	810	476	476	6	10	2000	2500	2000	2500
	2F330	3300	2185	3840	4520	1610	960	476	476	6	10	2000	2500	2000	2500
	2F360	3600	2335	4140	4820	1760	1110	476	476	6	10	2000	2500	2000	2500
	2F400	4000	2585	4540	5220	2060	1410	476	476	6	10	1900	2300	2000	2500
	2F430	4300	2035	4880	5560	1360	730	490	490	6	6	1700	2000	1900	2400
wide view full 3-stage mast	3F450	4500	2115	5040	5720	1460	810	490	490	6	6	1600	1900	1800	2300
	3F480	4800	2220	5345	6020	1565	915	490	490	6	6	1500	1700	1700	2100
	3F500	5000	2305	5540	6220	1610	960	490	490	6	6	1400	1600	1600	2000
	3F550	5500	2555	6120	6800	1770	1120	490	490	3	6	1050	1200	1500	1800
	3F600	6000	2805	6540	7220	2020	1370	490	490	3	6	700	800	1400	1600

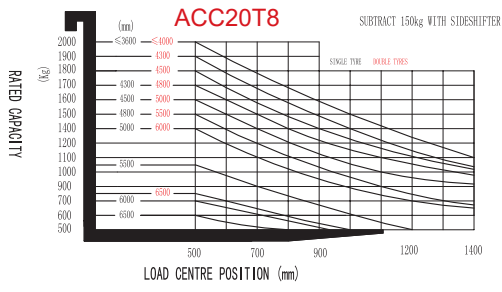
Note:1 . With sideshifter minus 150Kg, with integral sideshifter minus 100Kg.

### Opciones del mástil 3.0-3.5t (neumático)

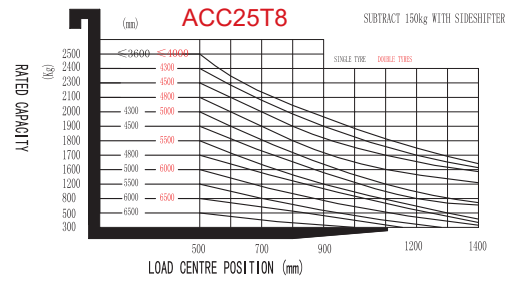
Type	Model	Max.fork height	Overall height			Free lift		Front Overhang		Tilt range		Capacity			
			Lowered	Extended		Without backrest	With backrest	3.0t	3.5t	FWD	BWD	Load capacity at 500 mm			
				Without backrest	With backrest							Single tire		Double tire	
			mm	mm	mm	mm	mm	mm	mm	mm	Deg	Deg	kg	kg	kg
Wide view mast	2W200	2000	1570	2570	3250	120	120	481	486	6	12	3000	3000	3500	3500
	2W250	2500	1820	3070	3750	120	120	481	486	6	12	3000	3000	3500	3500
	2W270	2700	1920	3270	3950	120	120	481	486	6	12	3000	3000	3500	3500
	2W300	3000	2070	3570	4250	120	120	481	486	6	12	3000	3000	3500	3500
	2W330	3300	2220	3690	4370	120	120	481	486	6	12	3000	3000	3500	3500
	2W350	3500	2320	3890	4570	120	120	481	486	6	12	3000	3000	3500	3500
	2W360	3600	2370	3990	4670	120	120	481	486	6	12	3000	3000	3500	3500
	2W400	4000	2620	4040	4720	120	120	481	486	6	12	2850	3000	3250	3500
	2W430	4300	2770	4340	5020	120	120	481	486	6	6	2700	2900	3000	3400
	2W450	4500	2870	4290	4970	120	120	481	486	6	6	2550	2850	2850	3350
wide view full 2-stage mast	2F250	2500	1830	2220	2900	1210	560	481	486	6	12	3000	3000	3500	3500
	2F270	2700	1930	2320	3000	1310	660	481	486	6	12	3000	3000	3500	3500
	2F300	3000	2080	2620	3300	1460	810	481	486	6	12	3000	3000	3500	3500
	2F330	3300	2230	3870	4550	1610	960	481	486	6	12	3000	3000	3500	3500
	2F360	3600	2380	4020	4700	1760	1110	481	486	6	12	3000	3000	3500	3500
	2F400	4000	2580	4420	5100	2060	1410	481	486	6	12	2850	3000	3250	3500
	2F430	4300	2055	4910	5570	1360	730	495	500	6	6	2550	2850	2850	3350
wide view full 3-stage mast	3F450	4500	2135	5070	5750	1460	810	495	500	6	6	2400	2700	2700	3200
	3F480	4800	2240	5375	6050	1565	915	495	500	6	6	2250	2550	2450	2950
	3F500	5000	2325	5570	6250	1610	960	495	500	6	6	1650	2250	2300	2800
	3F550	5500	2575	6150	6830	1770	1120	495	500	3	6	1800	2250	1800	2550
	3F600	6000	2825	6570	7250	2020	1370	495	500	3	6	1200	2100	1300	2300

Note:1 . With sideshifter minus 200Kg, with integral sideshifter minus 150Kg.

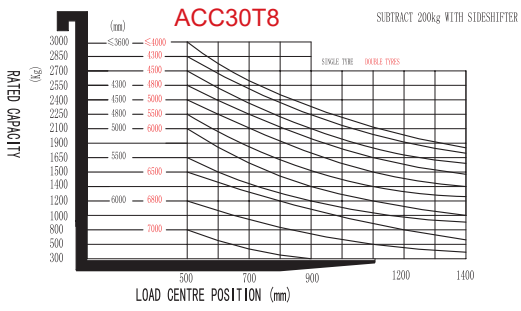
RATED CAPACITIES AND LOAD CENTERS GRAPH



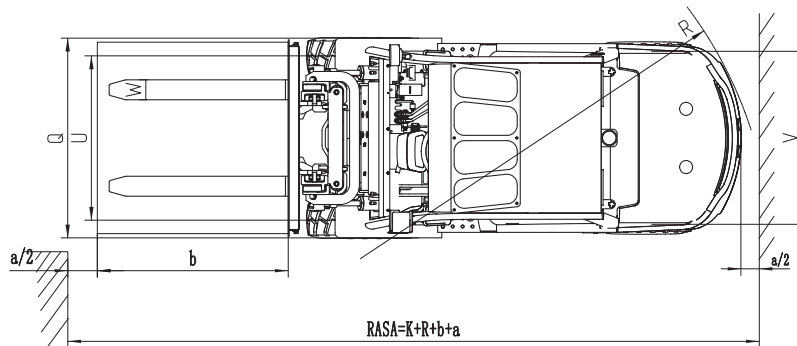
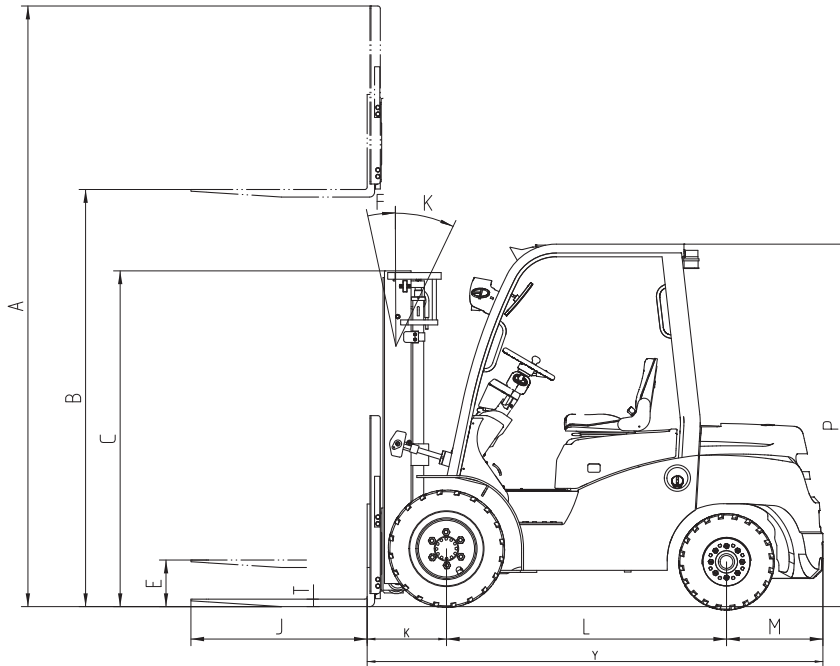
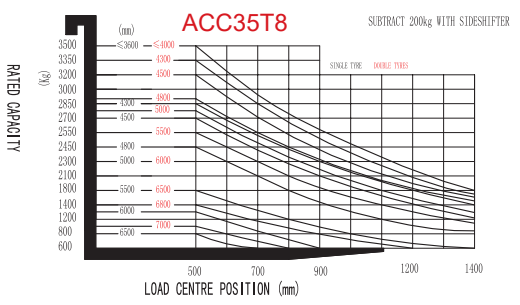
RATED CAPACITIES AND LOAD CENTERS GRAPH



RATED CAPACITIES AND LOAD CENTERS GRAPH



RATED CAPACITIES AND LOAD CENTERS GRAPH





# Opciones

Options		20/25T8	30T8	35T8
1	Fork length	○	○	○
2	Fork extension	○	○	○
3	Folded fork	○	○	○
4	Imported diesel engine	○	○	○
5	Import Gasoline Engine	○	○	○
6	LPG system	○	○	○
7	High exhaust	○	○	○
8	Dual air cleaners or special air cleaner	○	○	○
9	Solid rubber tire	○	○	○
10	No marking solid tire	○	○	○
11	Overhead guard	●	●	●
12	Mast options	○	○	○
13	Attachments	○	○	○
14	Integrated side shift	○	○	○
15	Cockpit	●	●	●
16	heater	○	○	○
17	Front windshield with wiper	○	○	○
18	Rear windshield with wiper	○	○	○
19	Fan	○	○	○
20	Full steel cabin room	○	○	○
21	LED front light	●	●	●
22	Rear working LED light	○	○	○
23	Fire extinguisher	○	○	○
24	Suspension seat	○	○	○
25	Seat switch	●	●	●
26	Warning light	●	●	●
27	Insulation mat	○	○	○
28	Double front tyre	○	○	○
29	OPS system	○	○	○

Note: ● standard ○ option — NA

