

ANDINO



ACCD
Series 2.0 - 3.5T

Especificaciones - ACCD20-25T8

Series 2.0-2.5T

General	1 Manufacture		MEGALIFT			
	2 Model		ACCD20	ACCD20	ACCD25	
Characteristics & Dimensions	3 Power type		Diesel	Diesel	Diesel	
	4 Rated capacity		Kg	2000	2000	2000
	5 Load center		mm	500	500	500
	6 Lift height		mm	3000	3000	3000
	7 Free lift height		mm	120	120	120
	8 Fork size		L×W×T	mm	1070×120×40	1070×120×40
	9 Mast tilt range		F/R	deg	6.12	6.12
	10 Fork overhang(wheel center to fork face)		mm	476	476	476
	11 Rear overhang		mm	485	485	485
	Overall dimensions	12 Length to face of fork		mm	2610	2610
		13 Overall width		mm	1150	1150
		14 Mast lowered height		mm	2060	2060
		15 Mast extended height		mm	4200	4200
		16 Overhead guard height		mm	2130	2130
		17 Turning radius(outside)		mm	2170	2170
	18 Min.right angle stacking aisle wiath (Add load length and clearance)		mm	2680	2680	
	Performance	19 Travel (No load)		Km/h	20	20
		Speed	20 Lifting (Full load)		mm/sec	450
21 Lowering (Full load)			mm/sec	450		
22 Max.Drawbar Pull (Full load)		N	14300	14300		
23 Max.Gradeability (Full load)		%	20	20		
Chassis	24 Tyres		mm	7.00-12-12PR	7.00-12-12PR	
	25		mm	8.00-9-10PR	6.00-9-10PR	
	Tread	26 Front		mm	970	
		27 Rear		mm	970	
	28 Wheelbase		mm	1600	1600	
	Ground clearance	29 Lowest		mm	120	
30 Wheelbase center		mm	145			
Weight	31 Self weight		Kg	3580		
	Weight Distribution	32 Full load		mm		
		33 Front		mm		
	No load	34 Front		mm		
		35 Rear		mm		
Power & transmission	36 Battery		V/AH	12/60		
	37 Voltage/Capacity (20HR)		mm	12/80		
	Engine	38 Modal		S4S-DPEU2	C240	
		39 Manufacture		Mitsubishi	ISUZU	
		40 Rated output/r.p.m		kw	35.3/2250	
		41 Rated torque/r.p.m		N.m	177/1700	
		42 No.of cylinder			4	
		43 Bore×Stroke		mm	94×120	
		44 Displacement		cc	3331	
	45 Fuel tank capacity		L	60		
	Transmissions	46 Manufacture		OEM	OEM	
		47 Type		Powershift	Powershift	
48 Stage		FWD/RVS	1/1			
49 Operating pressure		For attachments	Mpa	17.5		

1. Altura de elevación especial disponible (mástil de 2 etapas: 2,5 m, 2,7 m, 3,0 m, 3,3 m, 3,5 m, 3,6 m, 3,7 m, 4 m, 4,3 m, 4,5 m, 5 m. Mástil dúplex completamente libre de 3,0 m, 3,3 m, 3,5 m, 3,6 m Mástil de 3 etapas: 4,3 m, 4,5 m, 4,8 m, 5 m, 5,5 m, 6 m)

2. Accesorio disponible.

3. Las especificaciones de la tabla son solo para modelos estándar. Para obtener más información, póngase en contacto con nosotros.

4. Las especificaciones están sujetas a cambios sin previo aviso.

Especificaciones - ACCD20-25T8

Series 2.0-2.5T

		MEGALIFT						
General	1	Manufacture						
	2	Model			ACCD25	ACCD25	ACCD25	
	3	Power type			Diesel	Diesel	Diesel	
	4	Rated capacity		Kg	2500	2500	2500	
	5	Load center		mm	500	500	500	
Characteristics & Dimensions	6	Lift height		mm	3000	3000	3000	
	7	Free lift height		mm	120	120	120	
	8	Fork size		L×W×T	mm	1070×120×40	1070×120×40	1070×120×40
	9	Mast tilt range		F/R	deg	6\12	6\12	6\12
	10	Fork overhang(wheel center to fork face)			mm	476	476	476
	11	Rear overhang			mm	550	550	550
	12	Overall dimensions	Length to face of fork		mm	2660	2660	2660
	13		Overall width		mm	1150	1150	1150
	14		Mast lowered height		mm	2050	2050	2050
	15		Mast extended height		mm	4200	4200	4200
	16	Overhead guard height			mm	2130	2130	2130
	17	Turning radius(outside)			mm	2230	2230	2230
	18	Min.right angle stacking aisle wiath (Add load length and clearance)			mm	2740	2740	2740
Performance	19	Speed	Travel (No load)		Km/h	20	20	20
	20		Lifting (Full load)		mm/sec	450	450	450
	21		Lowering (Full load)		mm/sec	450	450	450
	22	Max.Drawbar Pull (Full load)			N	14800	14800	14800
	23	Max.Gradeability (Full load)			%	20	20	20
Chassis	24	Tyres	Front		mm	7.00-12-12PR	7.00-12-12PR	7.00-12-12PR
	25		Rear		mm	6.00-9-10PR	6.00-9-10PR	6.00-9-10PR
	26	Tread	Font		mm	970	970	970
	27		Rear		mm	970	970	970
	28	Wheelbase			mm	1600	1600	1600
	29	Ground clearance	Lowest			120	120	120
30	Wheelbase center			145	145	145		
Weight	31	Self weight			Kg	3920	3920	3920
	32	Weight	Full load			5588	5588	5588
	33		Distribution			832	832	832
	34	No load	Front			1560	1560	1560
	35		Rear			2360	2360	2360
Power & transmission	36	Battery		V/AH	12/60	12/60	12/60	
	37	Modal			S4S-DPEU2	C240	TD27	
	38	Manufacture			Mitsubishi	ISUZU	GCT	
	39	Rated output/r.p.m		kw	35.3/2250	34.5/2500	38.5/2300	
	40	Rated torque/r.p.m		N.m	177/1700	139/1800	160/2300	
	41	No.of cylinder			4	4	4	
	42	Bore×Stroke		mm	94×120	86×102	96/92	
	43	Displacement		cc	3331	2369	2663	
	44	Fuel tank capacity		L	60	60	60	
	45	Manufacture			OEM	OEM	OEM	
	46	Type			Powershift	Powershift	Powershift	
	47	Stage		FWD/RVS		1/1	1/1	1/1
48	Operating pressure		For attachments	Mpa	17.5	17.5	17.5	

Especificaciones - ACCD30-35T8

Series 3.0-3.5T

General	1	Manufacture		MEGALIFT			
	2	Model		ACCD30	ACCD30	ACCD30	
Characteristics & Dimensions	3	Power type		Diesel	Diesel	Diesel	
	4	Rated capacity		Kg	3000	3000	3000
	5	Load center		mm	500	500	500
	6	Lift height		mm	3000	3000	3000
	7	Free lift height		mm	120	120	120
	8	Fork size		mm	1070×125×45	1070×125×45	1070×125×45
	9	Mast tilt range		F/R	deg	6:12	6:12
	10	Fork overhang(wheel center to fork face)		mm	481	481	481
	11	Rear overhang		mm	590	590	590
	12	Length to face of fork		mm	2762	2762	2762
	13	Overall width		mm	1200	1200	1200
	14	Overall dimensions	Mast lowered height		mm	2070	2070
	15		Mast extended height		mm	4210	4210
	16		Overhead guard height		mm	2180	2180
	17	Turning radius(outside)		mm	2450	2450	2450
	18	Min.right angle stacking aisle width (Add load length and clearance)		mm	2950	2950	2950
	Performance	19	Travel (No load)		Km/h	20	20
		20	Speed	Lifting (Full load)		mm/sec	400
21		Lowering (Full load)		mm/sec	400		
22		Max.Drawbar Pull (Full load)		N	21000	21000	
23	Max.Gradeability (Full load)		%	20	20		
Chassis	24	Tyres	Front	mm	28×9-15-12PR	28×9-15-12PR	28×9-15-12PR
	25		Rear	mm	6.50-10-10PR	6.50-10-10PR	6.50-10-10PR
	26	Tread	Font	mm	1010	1010	1010
	27		Rear	mm	980	980	980
	28	Wheelbase		mm	1700	1700	1700
	29	Ground clearance	Lowest		mm	140	140
30	Wheelbase center		mm	175	175		
Weight	31	Self weight		Kg	4450	4450	
	32	Weight Distribution	Full load	Front	kg	6488	6488
	33			Rear	kg	962	962
	34		No load	Front	kg	1810	1810
	35			Rear	kg	2640	2640
Power & transmission	36	Battery		V/AH	12/60	12/60	
	37	Modal			S4S-DPEU2	C240	
	38	Manufacture			Mitsubishi	ISUZU	
	39	Rated output/r.p.m		kw	35.3/2250	34.5/2500	
	40	Rated torque/r.p.m		N.m	177/1700	139/1800	
	41	No.of cylinder			4	4	
	42	Bore×Stroke		mm	94×120	86×102	
	43	Displacement		cc	3331	2369	
	44	Fuel tank capacity		L	70	70	
	45	Manufacture			OEM	OEM	
	46	Transmissions	Type			Powershift	Powershift
	47		Stage		FWD/RVS	1/1	1/1
48	Operating pressure		For attachments	Mpa	17.5	17.5	

1. Altura de elevación especial disponible (mástil de 2 etapas: 2,5 m, 2,7 m, 3,0 m, 3,3 m, 3,5 m, 3,6 m, 3,7 m, 4 m, 4,3 m, 4,5 m, 5 m. Mástil dúplex completamente libre de 3,0 m, 3,3 m, 3,5 m, 3,6 m Mástil de 3 etapas: 4,3 m, 4,5 m, 4,8 m, 5 m, 5,5 m, 6 m)

2. Accesorio disponible.

3. Las especificaciones de la tabla son solo para modelos estándar. Para obtener más información, póngase en contacto con nosotros.

4. Las especificaciones están sujetas a cambios sin previo aviso.

Especificaciones - ACCD30-35T8

Series 3.0-3.5T

		MEGALIFT							
		ACCD35	ACCD30	ACCD30					
General	1	Manufacture							
	2	Model							
	3	Power type		Diesel	Diesel	Diesel			
Characteristics & Dimensions	4	Rated capacity		Kg	3500	3000	3000		
	5	Load center		mm	500	500	500		
	6	Lift height		mm	3000	3000	3000		
	7	Free lift height		mm	120	120	120		
	8	Fork size		L×W×T	mm	1070×125×50	1070×125×50	1070×125×50	
	9	Mast tilt range		F/R	deg	6/12	6/12	6/12	
	10	Fork overhang(wheel center to fork face)		mm	486	481	481		
	11	Rear overhang		mm	590	590	590		
	12	Length to face of fork		mm	2822	2822	2822		
	13	Overall width		mm	1200	1200	1200		
	14	Overall dimensions		Mast lowered height		mm	2070	2070	2070
				Mast extended height		mm	4210	4210	4210
				Overhead guard height		mm	2180	2180	2180
	17	Turning radius(outside)		mm	2510	2510	2510		
	18	Min.right angle stacking aisle wiath (Add load length and clearance)		mm	3010	3010	3010		
	Performance	19	Travel (No load)		Km/h	20	20	20	
		20	Speed		mm/sec	Lifting (Full load)	400	400	400
			Lowering (Full load)			400	400	400	
22		Max.Drawbar Pull (Full load)		N	21500	21500	21500		
23		Max.Gradeability (Full load)		%	20	20	20		
Chassis	24	Tyres		Front	mm	28×9-15-12PR	28×9-15-12PR	28×9-15-12PR	
	25			Rear	mm	6.50-10-10PR	6.50-10-10PR	6.50-10-10PR	
	26	Tread		Font	mm	1010	1010	1010	
	27			Rear	mm	980	980	980	
	28	Wheelbase		mm	1760	1760	1760		
	29	Ground clearance		Lowest		140	140	140	
				Wheelbase center		175	175	175	
31	Self weight		Kg	4700	4700	4700			
Weight	32				7134	7134	7134		
	33	Weight		Full load		Front	1066	1066	1066
				Rear		1927	1927	1927	
	34	Distribution		No load		Front	2773	2773	2773
Rear				2773		2773	2773		
Power & transmission	36	Battery		V/AH	12/60	12/60	12/60		
	37	Voltage/Capacity(20HR)							
	38	Modal			S4S-DPEU2	TD27	4JG2		
	39	Manufacture			Mitsubishi	GCT	ISUZU		
	40	Rated output/r.p.m		kw	35.3/2250	38.5/2300	44.9/2450		
	41	Rated torque/r.p.m		N.m	177/1700	160/2300	184.7/1700		
	42	No.of cylinder			4	4	4		
	43	Borex×Stroke		mm	94×120	96/92	95.4X107		
	44	Displacement		cc	3331	2663	3059		
	45	Fuel tank capacity		L	75	60	75		
	46	Manufacture			OEM	OEM	OEM		
	47	Transmissions		Type		Powershift	Powershift	Powershift	
				Stage	FWD/RVS	1/1	1/1	1/1	
48	Operating pressure		For attachments	Mpa	17.5	17.5	17.5		

Opciones del mástil 2.0-2.5t (neumático)

Type	Model	Max.fork height	Overall height			Free lift		Front Overhang		Tilt range		Capacity			
			Lowered	Extended		Without backrest	With backrest	2.0t	2.5t	FWD	BWD	Load capacity at 500 mm			
				Without backrest	With backrest							Single tire		Double tire	
			mm	mm	mm	mm	mm	mm	mm	mm	Deg	Deg	kg	kg	kg
Wide view mast	2W200	2000	1550	2740	3420	120	120	476	476	6	10	2000	2500	2000	2500
	2W250	2500	1800	3040	3720	120	120	476	476	6	10	2000	2500	2000	2500
	2W270	2700	1900	3240	3920	120	120	476	476	6	10	2000	2500	2000	2500
	2W300	3000	2050	3540	4220	120	120	476	476	6	10	2000	2500	2000	2500
	2W330	3300	2200	3690	4370	120	120	476	476	6	10	2000	2500	2000	2500
	2W350	3500	2300	3890	4570	120	120	476	476	6	10	2000	2500	2000	2500
	2W360	3600	2350	3990	4670	120	120	476	476	6	10	2000	2500	2000	2500
	2W400	4000	2600	4040	4720	120	120	476	476	6	10	1900	2300	2000	2500
	2W430	4300	2750	4340	5020	120	120	476	476	6	6	1800	2100	1950	2450
	2W450	4500	2850	4290	4970	120	120	476	476	6	6	1700	2000	1900	2400
wide view full 2-stage mast	2F250	2500	1785	2090	2770	1210	560	476	476	6	10	2000	2500	2000	2500
	2F270	2700	1885	2290	2970	1310	660	476	476	6	10	2000	2500	2000	2500
	2F300	3000	2035	2590	3270	1460	810	476	476	6	10	2000	2500	2000	2500
	2F330	3300	2185	3840	4520	1610	960	476	476	6	10	2000	2500	2000	2500
	2F360	3600	2335	4140	4820	1760	1110	476	476	6	10	2000	2500	2000	2500
	2F400	4000	2585	4540	5220	2060	1410	476	476	6	10	1900	2300	2000	2500
	2F430	4300	2035	4880	5560	1360	730	490	490	6	6	1700	2000	1900	2400
wide view full 3-stage mast	3F450	4500	2115	5040	5720	1460	810	490	490	6	6	1600	1900	1800	2300
	3F480	4800	2220	5345	6020	1565	915	490	490	6	6	1500	1700	1700	2100
	3F500	5000	2305	5540	6220	1610	960	490	490	6	6	1400	1600	1600	2000
	3F550	5500	2555	6120	6800	1770	1120	490	490	3	6	1050	1200	1500	1800
	3F600	6000	2805	6540	7220	2020	1370	490	490	3	6	700	800	1400	1600

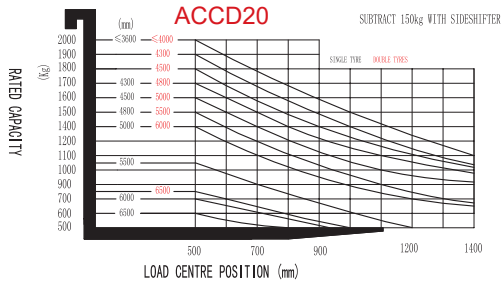
Note: 1. With sideshifter minus 150Kg, with integral sideshifter minus 100Kg.

Opciones del mástil 3.0-3.5t (neumático)

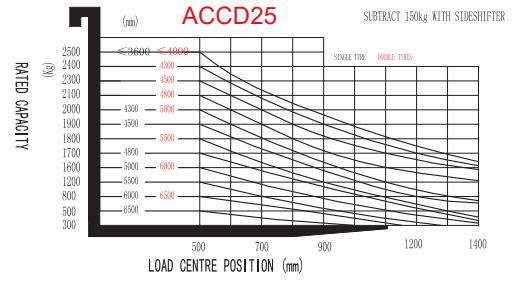
Type	Model	Max.fork height	Overall height			Free lift		Front Overhang		Tilt range		Capacity			
			Lowered	Extended		Without backrest	With backrest	3.0t	3.5t	FWD	BWD	Load capacity at 500 mm			
				Without backrest	With backrest							Single tire		Double tire	
			mm	mm	mm	mm	mm	mm	mm	mm	Deg	Deg	kg	kg	kg
Wide view mast	2W200	2000	1570	2570	3250	120	120	481	486	6	12	3000	3000	3500	3500
	2W250	2500	1820	3070	3750	120	120	481	486	6	12	3000	3000	3500	3500
	2W270	2700	1920	3270	3950	120	120	481	486	6	12	3000	3000	3500	3500
	2W300	3000	2070	3570	4250	120	120	481	486	6	12	3000	3000	3500	3500
	2W330	3300	2220	3690	4370	120	120	481	486	6	12	3000	3000	3500	3500
	2W350	3500	2320	3890	4570	120	120	481	486	6	12	3000	3000	3500	3500
	2W360	3600	2370	3990	4670	120	120	481	486	6	12	3000	3000	3500	3500
	2W400	4000	2620	4040	4720	120	120	481	486	6	12	2850	3000	3250	3500
	2W430	4300	2770	4340	5020	120	120	481	486	6	6	2700	2900	3000	3400
	2W450	4500	2870	4290	4970	120	120	481	486	6	6	2550	2850	2850	3350
wide view full 2-stage mast	2F250	2500	1830	2220	2900	1210	560	481	486	6	12	3000	3000	3500	3500
	2F270	2700	1930	2320	3000	1310	660	481	486	6	12	3000	3000	3500	3500
	2F300	3000	2080	2620	3300	1460	810	481	486	6	12	3000	3000	3500	3500
	2F330	3300	2230	3870	4550	1610	960	481	486	6	12	3000	3000	3500	3500
	2F360	3600	2380	4020	4700	1760	1110	481	486	6	12	3000	3000	3500	3500
	2F400	4000	2580	4420	5100	2060	1410	481	486	6	12	2850	3000	3250	3500
	2F430	4300	2055	4910	5570	1360	730	495	500	6	6	2550	2850	2850	3350
wide view full 3-stage mast	3F450	4500	2135	5070	5750	1460	810	495	500	6	6	2400	2700	2700	3200
	3F480	4800	2240	5375	6050	1565	915	495	500	6	6	2250	2550	2450	2950
	3F500	5000	2325	5570	6250	1610	960	495	500	6	6	1650	2250	2300	2800
	3F550	5500	2575	6150	6830	1770	1120	495	500	3	6	1800	2250	1800	2550
	3F600	6000	2825	6570	7250	2020	1370	495	500	3	6	1200	2100	1300	2300

Note: 1. With sideshifter minus 200Kg, with integral sideshifter minus 150Kg.

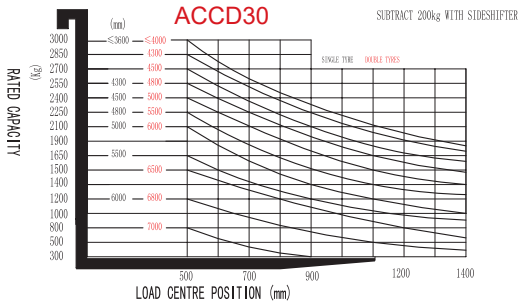
RATED CAPACITIES AND LOAD CENTERS GRAPH



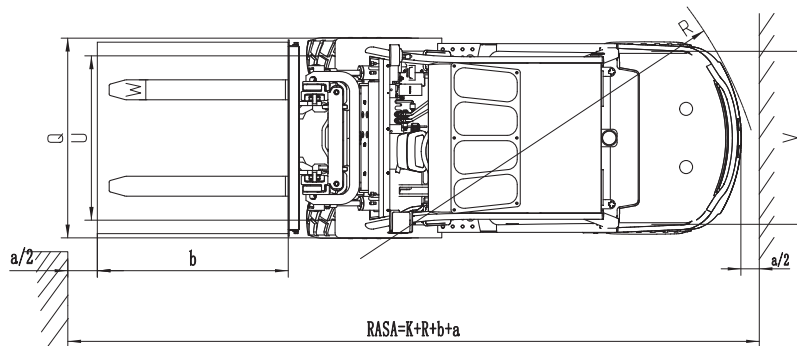
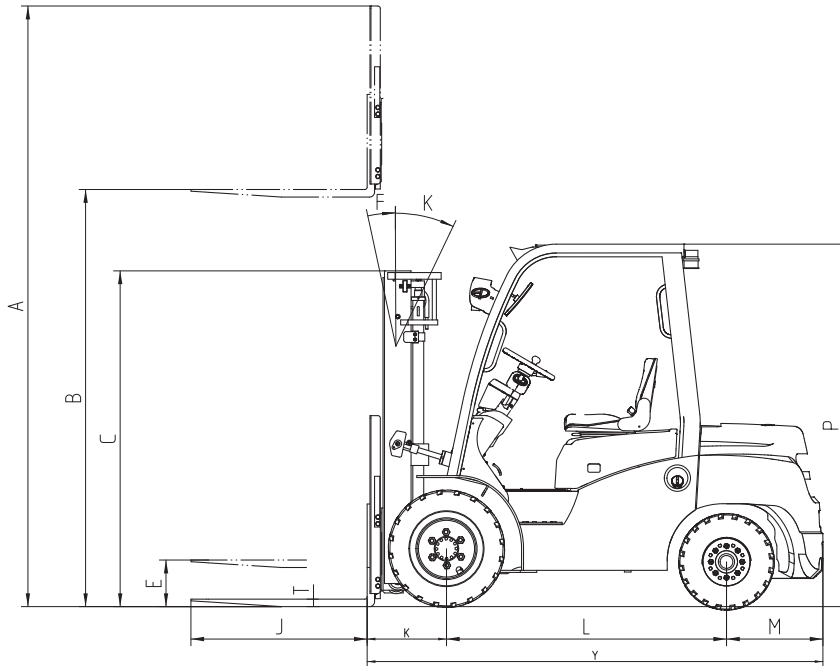
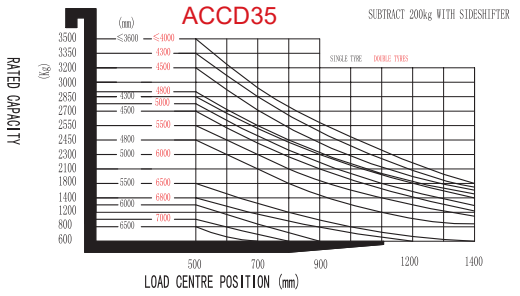
RATED CAPACITIES AND LOAD CENTERS GRAPH



RATED CAPACITIES AND LOAD CENTERS GRAPH



RATED CAPACITIES AND LOAD CENTERS GRAPH



Opciones

Options		20/25	30	35
1	Fork length	○	○	○
2	Fork extension	○	○	○
3	Folded fork	○	○	○
4	Imported diesel engine	○	○	○
5	Import Gasoline Engine	○	○	○
6	LPG system	○	○	○
7	High exhaust	○	○	○
8	Dual air cleaners or special air cleaner	○	○	○
9	Solid rubber tire	○	○	○
10	No marking solid tire	○	○	○
11	Overhead guard	●	●	●
12	Mast options	○	○	○
13	Attachments	○	○	○
14	Integrated side shift	○	○	○
15	Cockpit	●	●	●
16	heater	○	○	○
17	Front windshield with wiper	○	○	○
18	Rear windshield with wiper	○	○	○
19	Fan	○	○	○
20	Full steel cabin room	○	○	○
21	LED front light	●	●	●
22	Rear working LED light	○	○	○
23	Fire extinguisher	○	○	○
24	Suspension seat	○	○	○
25	Seat switch	●	●	●
26	Warning light	●	●	●
27	Insulation mat	○	○	○
28	Double front tyre	○	○	○
29	OPS system	○	○	○

Note: ● standard ○ option — NA

